

## 傑凱工業設備有限公司

JIEKAI INDUSTRIAL EQUIPMENT CO.,LTD.

電話/TEL : 0769-28057055/28057066/22778262

傳真/FAX : 0769-22778212

免費電話/Toll-free national hotline : 400-800-9738

地址/Add : 廣東省東莞市萬江共聯社區第二工業區

Wangjiang Second Industrial Zone, Dongguan, Guangdong Province

## 蘇州傑利凱工業設備有限公司

SUZHOU JIELIKAI INDUSTRIAL EQUIPMENT CO.,LTD.

電話/TEL : 0512-55258321

傳真/FAX : 0512-55258312

免費電話/Toll-free national hotline : 400-808-6198

地址/Add : 江蘇省昆山市經濟開發區馬塘路255號

No. 255, Economic Development Zone, Kunshan City, Jiangsu Province

## 天津傑凱泵業有限公司

TIANJIN JIEKAI INDUSTRIAL EQUIPMENT CO.,LTD.

電話/TEL : 022-27934359 13820284148

傳真/FAX : 022-27934359

地址/Add : 天津市西青區楊柳青鎮雙河村

Shuanghe Village, Yangliuqing Town, Xiqing District, Tianjin

## 傑凱工業設備有限公司 (重慶分公司)

JIEKAI INDUSTRIAL EQUIPMENT CO.,LTD. (CHONGQING BRANCH)

電話/TEL : 023-68151380

傳真/FAX : 023-68151380

地址/Add : 重慶市九龍坡區金科機電城B區117號

No.117 Jinke Electromechanical City, Jiulongpo District, Chongqing

## 山東辦事處

SHANDONG BRANCH

電話/TEL : 13954298833

地址/Add : 山東省青島市膠州高家電鍍城

Gaojia Plating City, Jiaozhou, Qingdao, Shandong Province



Web: [www.jk-pump.com](http://www.jk-pump.com)

E-mail: [jkbiz@jk-pump.com](mailto:jkbiz@jk-pump.com)

本資料僅供參考, 如有變更恕不另行通知。

This information is for your reference, if change will not inform you again



# 直立式泵浦系列 CENTRIFUGAL PUMP OF VERTICAL AXIS



傑凱泵業

化工泵首選品牌

CHEMICAL PUMP, YOUR FIRST BRAND CHOICE



# COMPANY PROFILE

## 公司簡介

傑凱公司自成立以來，一直秉著“以質量求生存，以技術求發展”的原則，依據國際管理體系，結合國外先進技術，堅持自主研發生產，嚴控產品質量標準，以期為客戶提供更加優質的產品和服務。

歷經多年耕耘，傑凱公司已擁有十餘年化工泵浦與化學藥液精密過濾機的研發及生產技術，並已形成了完善的售前、售中、售後服務體系；目前傑凱公司在全國建立了廣泛的銷售及服務網絡，能及時為客戶提供優質的產品與服務。經過持續不斷發展，傑凱公司已經成為化工泵浦和精密過濾設備領域中的標桿企業！

主營產品：可空轉直立式耐酸鹼泵、耐腐蝕磁力泵、自吸式耐酸鹼泵、耐酸鹼不銹鋼泵、雙塔過濾機、鉻酸過濾機、連續鍍過濾機、水平清洗線過濾機、化學鍍（鎳）專用過濾機、不銹鋼過濾機等各種化學藥液精密過濾機。

Since established, Jiekai company always insists on "strives for the survival by the quality, technology for the survival by the development" principle, according to the international management system, combined with foreign advanced technology, adhere to independent research and development production, and strictly controls product quality standards, in order to provide customers with high quality products and services.

After years of hard work, Jiekai company has more than 10 years of development and production technology of the chemical pump and precision chemical filter, and has formed the perfect pre-sale, selling and after-sale service system; In China we established a wide sales and service network, timely to provide customers with quality products and services. Through continuous development, Jiekai company has become a chemical pump precision filtration equipment benchmarking enterprise in the field of the industrial.

The main products: idling upright acid and alkali resistant vertical pump, corrosion resistant magnetic pump, self-priming pump, stainless steel acid and alkali resistant pump, twin towers filter, Chromic acid filter, continuous plating, the level of cleaning line filter Chemical plating (nickel) special filter, stainless steel filter, various chemical solution precision filter and so on.

# COMPANY ABILITY

## 企業實力

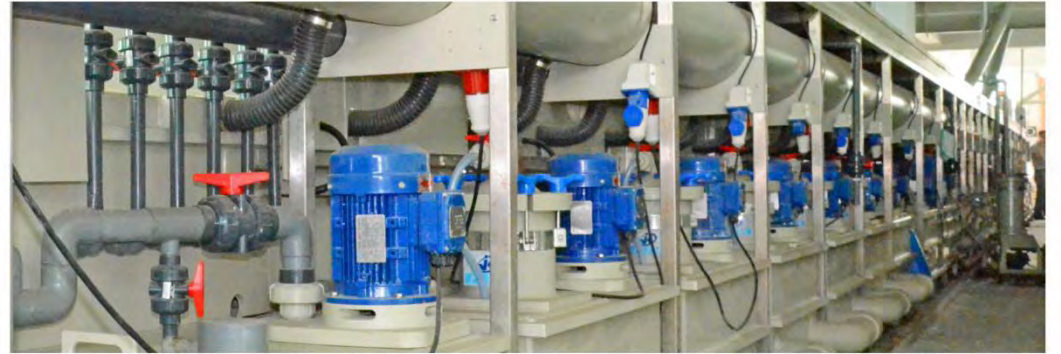
嚴謹的流程體系、優勢的生產規模、精益的生產實力。  
The rigorous process system, the advantages of the scale of production, lean production strength.

- 自主研發：精準研發，科學設計。
  - 科學嚴謹：參考ISO15783、GB10889、GBT29529設計要求/測試標準。
  - 全製程生產：從源頭到成品，科學管理，精益生產。
  - 直銷直管：廠家直營，專業高效，無假貨、無仿品。
- Independent research and development: precise research and development, the reasonable design
  - Rigorous science, reference ISO15783, GB10889, GBT 29529 standard design and test.
  - Whole production process: from the raw material to the finished product, scientific management, lean production.
  - Direct selling and direct management: manufacturer directly, professional and efficient, without the counterfeit goods, without replicas.



# ENGINEERING CASE

## ◆ 直立式泵工程案例



# PRODUCT FEATURES

## 直立式泵產品特性



進口/上市企業原原料，大幅提高產品強度及耐腐蝕性。

Raw materials from level 1 importer/ listed company, greatly improved the product strength and corrosion resistance.



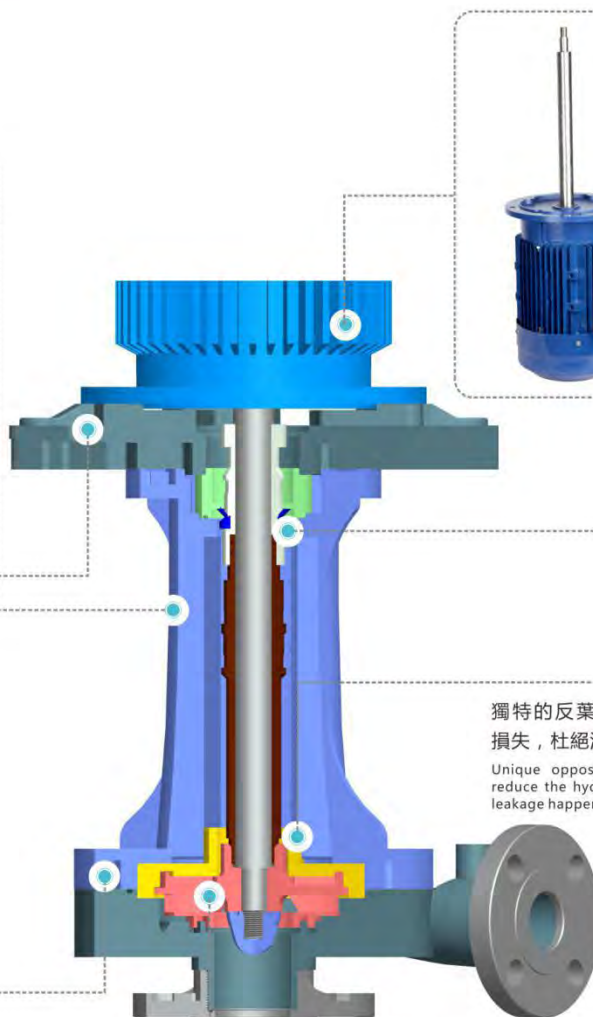
新型設計的支撐板結構，輕便、防腐、滿足不同需求。

We have hexagonal plates, square plates, circular plate, and other support plate structure, make the pump lightweight, anticorrosive, and can satisfy different needs.



優質TI/SUS螺絲，可滿足不同的工作環境。

Superior quality TI/SUS screw, it can satisfy different working conditions.



傑凱定制一體軸電機，保證電機工作之穩定性。

Use Jiekai customized motor and shaft formed integrally. It can guarantee the stability of the machine work.



特製的幹式軸封，配合SUS金屬或TI金屬一體軸，可耐空轉、防腐蝕、提高電機壽命。

Special dry shaft seal, match SUS metal or TI metal shaft, to let the pump can resistant to idle, corrosion protection, improve motor lifetime.



獨特的反葉輪設計，減少水力損失，杜絕洩漏。

Unique opposite impeller design, to reduce the hydraulic losses, forbid the leakage happen.



創新型葉輪設計，一體成型工藝；效率高、性能穩定、壽命長。

Innovative impeller design, molding process, made pump high efficiency, performance stable, long distance life.

# JKD SERIES

## ◆ JKD系列



### ● 性能特點/Feature Description

- 採用進口/上市企業原物料，大幅提高產品強度及耐腐蝕性。
- 特製的干式軸封，配合SUS金屬或TI金屬一體軸，可耐空轉、防腐蝕、提高電機壽命。
- 創新型葉輪設計，一體成型工藝，效率高、性能穩定、壽命長。
- 獨特的反葉輪設計，減少水力損失，杜絕洩漏。
- 完全可空轉運行，絕不因空轉而損壞泵浦。
- 泵浦功率範圍從0.75Kw至15Kw，本體材質可選用FRPP/PVDF。
- 適合各種槽外/槽內酸鹼液體循環，適用於冷卻、噴洗、蝕刻及廢水處理等製程。
- The raw material from level 1 importer/ listed company.Greatly improved the product strength and corrosion resistance.
- Special dry shaft seal, match SUS metal or TI metal shaft, to let the pump can resistant to idle, corrosion protection, improve motor lifetime.
- Innovative impeller design, molding process, made pump high efficiency, performance stable, long distance life.
- Unique opposite impeller design, to reduce the hydraulic losses, forbids the leakage happens.
- Completely idle running, never due to idle then damages the pump.
- Pump power range from 0.75 Kw to 7.5 Kw, about the pump body material ,we can use FRPP/PVDF .
- Suitable for all kinds of acid and alkali liquid circulation, suitable for the cooling, spray cleaning, etching, waste water treatment, waste gas treatment process, etc.

### ● 型號表示方法/Model Representation Method

- JKD- 50 SK 5 5 V F- TI
- 機型編號/Model : JKD
  - 出口口徑/Inlet : 40 ( 1-1/2" ) 50 ( 2" ) 65 ( 2-1/2" ) 100 ( 4" )
  - 比重/Sp. : SK-1.1 SP-1.4
  - 功率/Power : 1-1HP 2-2HP 3-3HP 5-5HP 7.5-7.5HP 10-10HP  
15-15HP 20-20HP
  - 頻率/Frequency : 5 : 50HZ 6 : 60HZ
  - 橡膠材質/Rubber : E-EPDM V-VITON
  - 泵浦材質/Pump Material : F-FRPP P-PVDF C-CFRPP
  - 軸心材質 ( Axis Material ) : 4:SUS304 6:SUS316 TI:TI

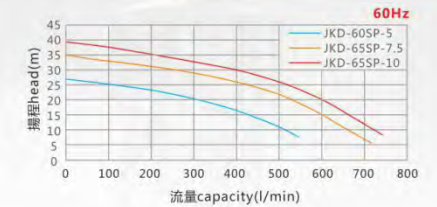
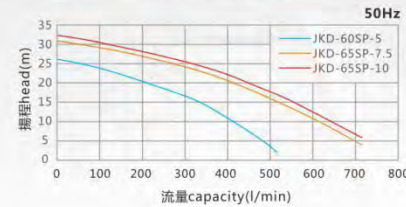
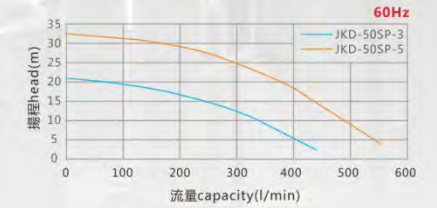
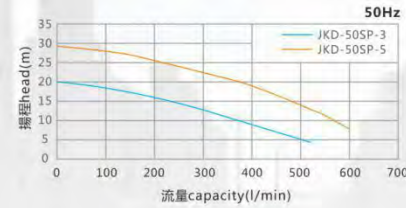
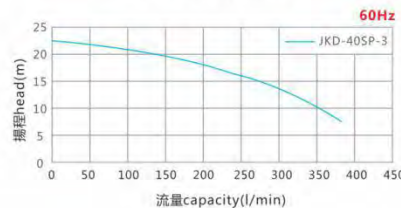
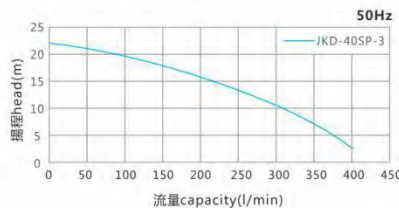
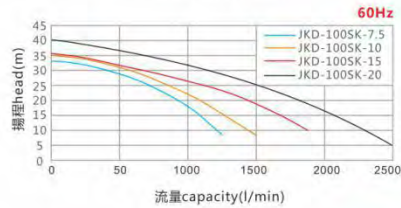
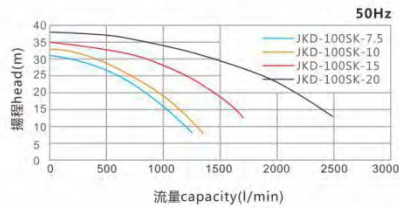
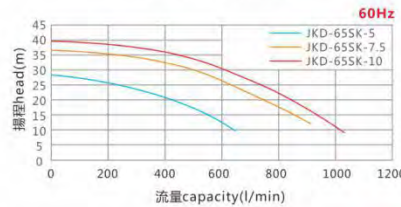
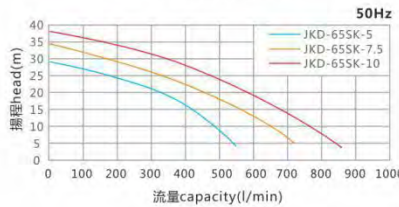
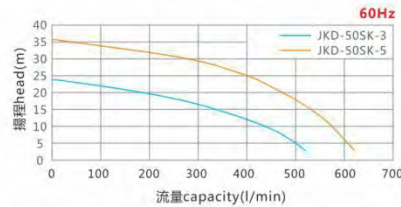
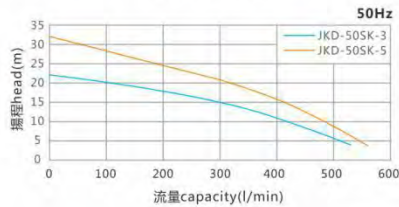
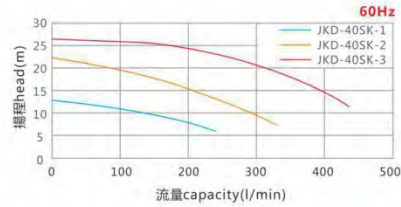
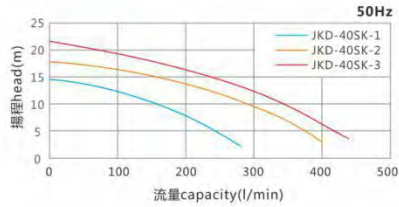
### ● 規格表/Specifications

規格 Spec.	比重 Sp.	入口 Inlet(mm)	出口 Outlet(mm)	50Hz		60Hz		泵浦功率 Power(Kw)
				全揚程 Max.Head (m)	全流量 Max.Capacity (l/min)	全揚程 Max.Head (m)	全流量 Max.Capacity (l/min)	
JKD-40SK-1	1.1	50	40	14.5	280	12.5	240	0.75
JKD-40SK-2	1.1	50	40	18	400	22	330	1.5
JKD-40SK-3	1.1	50	40	22	440	26.2	440	2.2
JKD-50SK-3	1.1	65	50	21.8	530	24	520	2.2
JKD-50SK-5	1.1	65	50	31.8	560	36	620	3.75
JKD-65SK-5	1.1	80	65	28.8	550	28.5	650	3.75
JKD-65SK-7.5	1.1	80	65	34	720	36.5	920	5.5
JKD-65SK-10	1.1	80	65	37.5	860	39.5	1040	7.5
JKD-100SK-7.5	1.1	100	100	31	1250	33.2	1250	5.5
JKD-100SK-10	1.1	100	100	33	1350	35	1500	7.5
JKD-100SK-15	1.1	100	100	35	1700	35.5	1880	11
JKD-100SK-20	1.1	100	100	38	2500	40	2500	15
JKD-40SP-3	1.4	50	40	21.8	400	22.5	340	2.2
JKD-50SP-3	1.4	65	50	20	520	20.2	440	2.2
JKD-50SP-5	1.4	65	50	29	600	32.3	500	3.75
JKD-65SP-5	1.4	80	65	26.7	520	26.7	540	3.75
JKD-65SP-7.5	1.4	80	65	31.6	720	35	720	5.5
JKD-65SP-10	1.4	80	65	33	720	38.5	750	7.5

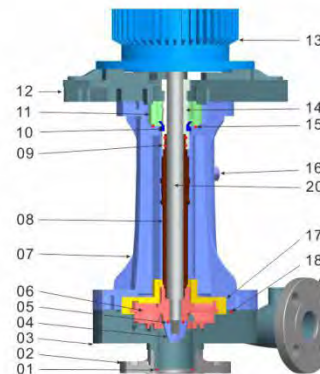
# JKD SERIES

## ◆JKD系列

### ● 性能曲線/Performance Curve



### ● 材質構造圖/Material Structure Diagram



編號 Part Code	名稱 Part Name	可選材料 Available Materials
01	法蘭O環/Flange O Ring	VITON / EPDM
02	入口法蘭/Motor	FRPP / PVDF
03	前蓋/Front Cover	FRPP / PVDF
04	葉輪螺母/Impeller Nut	FRPP / PVDF
05	葉輪螺母O環/Impeller Nut O Ring	VITON / EPDM
06	葉輪/Impeller	FRPP / PVDF
07	主體/Pump Body	FRPP / PVDF
08	葉輪桿/Impeller Stick	FRPP / PVDF
09	葉輪桿O環/Impeller Stick O Ring	VITON / EPDM (1Kw-3.75Kw)
10	液封/Vapor Seal	VITON
11	陶瓷座/Ceramic	FRPP / PVDF + CERAMIC
12	四方面板/Motor Spacer	FRPP
13	電機/Motor	FC / AL
14	軸套/Shaft Sleeve	FRPP / PVDF(1Kw-3.75Kw)
15	陶瓷座O環/Ceramic O Ring	VITON / EPDM
16	中肚螺絲/Main Body Screw	FRPP / PVDF
17	上嵌/Top Panel	FRPP / PVDF
18	前蓋O環/Front Cover O Ring	VITON / EPDM
19	出口法蘭/Flange Outlet	FRPP / PVDF
20	電機軸心/Motor Shaft	SUS / TI

# JKH SERIES

## ◆JKH系列



### ● 性能特點/Feature Description

- 進口/上市企業優質原物料，大幅提高產品強度及耐腐蝕性。
- 傑凱定製之一體軸電機，保證電機工作之穩定性。
- 六角板、四方板、圓板等多種支撐板結構，輕便、防腐、滿足不同需求。
- 傑凱特製干式軸封，配合SUS金屬或TI金屬一體軸，完全可應對苛刻的環境。
- 泵浦功率範圍從0.75Kw至7.5Kw，本體材質可選用FRPP/PVDF。
- 適合各種槽內安裝方式，亦可配備過濾器使用，適用於液體噴洗、蝕刻及循環等製程。
- The raw materials from level 1 importer/ listed company.Greatly improved the product strength and corrosion resistance.
- Jiekai customized integrated shaft motor, ensure stability of motor working .
- We have hexagonal plates, square plates, circular plate, and other support plate structure, make the pump lightweight, anticorrosive, and can satisfy different needs.
- Jiekai special dry shaft seal, match SUS metal or TI metal molding shaft,it can fully cope with the harsh environment.
- Pump power range from 0.75 Kw to 7.5 Kw, about the pump body material ,we can use FRPP/PVDF .
- Suitable for all kinds of ingroove installation,the pump can be equipped with filter , suitable for chemical liquid spray cleaning, etching and circulation process, etc.

### ● 型號表示方法/Model Representation Method

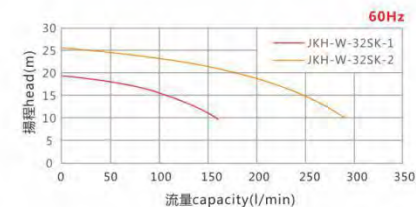
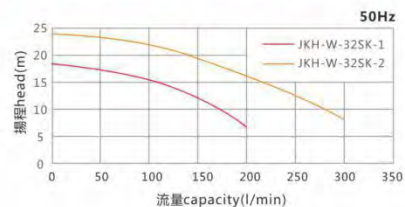
JKH- W 40 SK 5 5 V F-TI

- 機型編號/ Model: JKH
- 出口形式/Outlet : W : 六角板彎管/The hexagonal panel bent pipe  
F : 四方板彎管/The Square plate bent pipe  
Y : 圓板直出/Direct circular plate  
無Without : 四方板直出/Direct square plate
- 出口口徑/Outlet : 32(1-1/4") 40(1-1/2") 50(2")
- 比重/Sp.: SK-1.1 SP-1.4
- 功率/Power : 1-1HP 2-2HP 3-3HP 5-5HP 7.5-7.5HP 10-10HP
- 頻率/Frequency : 5 : 50HZ 6 : 60HZ
- 橡膠材質/Rubber : E-EPDM V-VITON
- 泵浦材質/Material : F-FRPP P-PVDF
- 軸心材質 ( Axis Material) : 4:SUS304 6:SUS316 TI:TI

### ● 規格表/Specifications

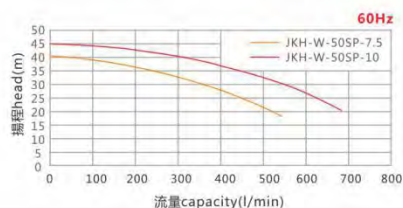
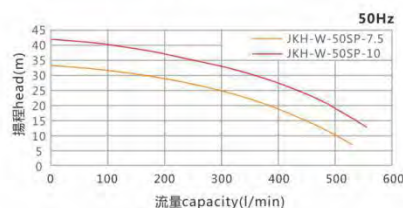
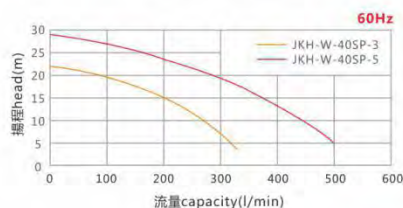
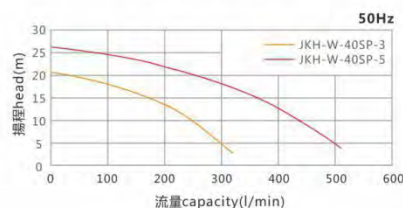
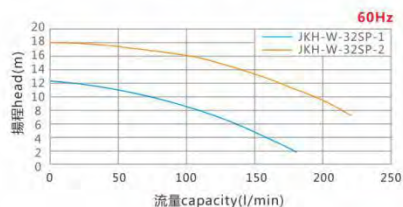
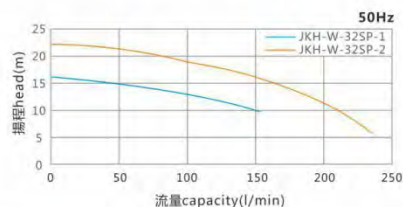
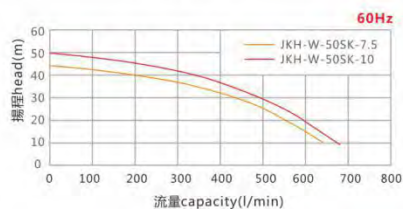
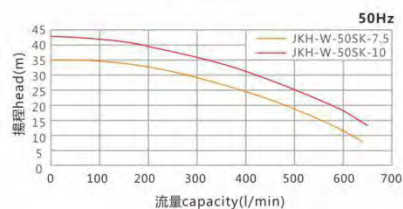
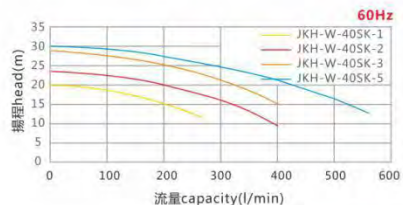
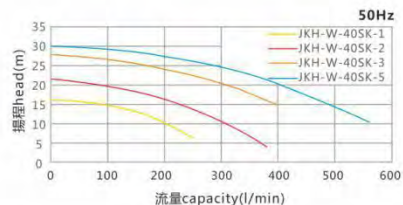
規格 Spec.	比重 Sp.	入口 Inlet(mm)	出口 Outlet(mm)	50Hz		60Hz		泵浦功率 Power(Kw)
				全揚程 Max.Head (m)	全流量 Max.Capacity (l/min)	全揚程 Max.Head (m)	全流量 Max.Capacity (l/min)	
JKH-W-32SK-1	1.1	50	32	19	200	19	160	0.75
JKH-W-32SK-2	1.1	50	32	24	300	25.2	290	1.5
JKH-W-40SK-1	1.1	50	40	16	250	20	280	0.75
JKH-W-40SK-2	1.1	50	40	22.3	380	24	400	1.5
JKH-W-40SK-3	1.1	50	40	28	400	29	400	2.2
JKH-W-40SK-5	1.1	50	40	30	560	30	560	3.75
JKH-W-50SK-7.5	1.1	65	50	35.2	640	44	640	5.5
JKH-W-50SK-10	1.1	65	50	43	650	49.5	680	7.5
JKH-W-32SP-1	1.4	50	32	16.5	153	12.8	180	0.75
JKH-W-32SP-2	1.4	50	32	22	235	18	220	1.5
JKH-W-40SP-3	1.4	50	40	21	320	21.9	330	2.2
JKH-W-40SP-5	1.4	50	40	26	510	28.4	500	3.75
JKH-W-50SP-7.5	1.4	65	50	33	530	41	540	5.5
JKH-W-50SP-10	1.4	65	50	41	550	45	680	7.5

### ● 性能曲線/Performance Curve

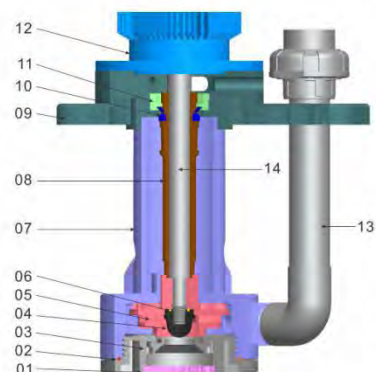


# JKH SERIES

## ◆JKH系列

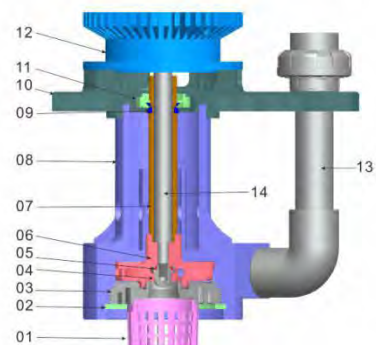


### ● 材質構造圖/Material Structure Diagram



JKH-W Series 1-5HP

編號 Part Code	名稱 Part Name	可選材料 Available Materials
01	濾網/Filter Gauze	FRPP / PVDF/FRPP / PVDF
02	前蓋O環/Front Cover O Ring	VITON / EPDM
03	前蓋/Front Cover	FRPP / PVDF
04	葉輪螺母/Impeller Nut	FRPP / PVDF
05	葉輪/Impeller	FRPP / PVDF
06	葉輪螺母O環/Impeller Nut O Ring	VITON / EPDM
07	主體/Pump Body	FRPP / PVDF
08	葉輪桿/Impeller Stick	FRPP / PVDF
09	六角面板 (含O環) The hexagonal panel (including the O ring)	FRPP
10	液封/Vapor Seal	VITON
11	陶瓷座/Ceramic	FRPP / PVDF + CERAMIC
12	電機/Motor	FC / AL
13	出口管組/The Outlet Pipe Group	FRPP / PVDF
14	電機軸心/Motor Shaft	SUS / TI



JKH-W Series 7.5-10HP

編號 Part Code	名稱 Part Name	可選材料 Available Materials
01	濾網/Filter Gauze	FRPP / PVDF
02	卡環/Snap Ring	FRPP(5.5Kw-11Kw)
03	前蓋/Front Cover	FRPP / PVDF
04	葉輪螺母/Impeller Nut	FRPP / PVDF
05	葉輪螺母O環/Impeller Nut O Ring	VITON / EPDM
06	葉輪/Impeller	FRPP / PVDF
07	葉輪桿/Impeller Stick	FRPP / PVDF
08	主體/Pump Body	FRPP / PVDF
09	液封/Vapor Seal	VITON
10	六角面板 (含O環) The hexagonal panel (including the O ring)	FRPP / PVDF + EPDM
11	陶瓷座/Fixed Ceramic Ring	FRPP / PVDF + CERAMIC
12	電機/Motor	FC / AL
13	出口管組/The outlet pipe group	FRPP / PVDF
14	電機軸心/Motor Shaft	SUS / TI



# JKP SERIES

## ◆JKP系列



### ● 性能特點/Feature Description

- 進口/上市企業原物料，大幅提高產品強度及耐腐蝕性。
- 完全可空轉運行，絕不因空轉而損壞泵浦。
- 電機可選用不同防腐等級油漆，應對不同的使用環境。
- 體積小、設計合理、結構簡單、便於安裝、便於維修。
- 適用於槽內安裝，配合不同的出口形式，滿足不同的使用空間。
- 泵浦功率範圍從90W至2200W，本體材質可選用FRPP/PVDF。
- 適合各種槽內安裝方式，亦可配備過濾器使用，適用於液體噴洗、蝕刻及循環等製程。
- The raw materials from level 1 importer/ listed company.Greatly improved the product strength and corrosion resistance.
- Completely idle running, never due to idle then damages the pump.
- Motor can choose different proofing maker paint, to dealing with the different use and environment
- Small volume, reasonable design, simple structure, easy to install, easy to maintain
- Apply to the installation in tank , with different outlet type, can satisfy different environment
- Pump power range from 0.09Kw to 2.2Kw, about the pump body material ,we can use FRPP/PVDF .
- Suitable for all kinds of ingroove installation,the pump can be equipped with filter , suitable for chemical liquid spray cleaning, etching and circulation process, etc.

### ● 型號表示方法/Model Representation Method

JKP- W 25 SK 1/2 5 V F-TI 3

- 機型編號/Model : JKP \_\_\_\_\_
- 出口形式/Outlet : W : 彎管/The hexagonal panel bent pipe  
無Without : 直出Direct
- 出口口徑/Outlet : 20 ( 3/4" ) 25 ( 1" ) 40 ( 1-1/2" )
- 比重/Sp. : SK-1.1 SP-1.4
- 功率/Power : 1/8 ( 1/8HP ) 1/6 ( 1/6HP ) 1/4 ( 1/4HP ) 1/3 ( 1/3HP ) 1/2 ( 1/2HP )  
3/4 ( 3/4HP ) 1 ( 1HP ) 2 ( 2HP ) 3 ( 3HP )
- 頻率/Frequency : 5 : 50HZ 6:60HZ
- 橡膠材質/Rubber : E-EPDM V-VITON N-NBR
- 泵浦材質/Material : F-FRPP P-PVDF
- 軸心材質 ( Axis Material) : 4:SUS304 6:SUS316 TI:TI
- 電壓/Voltage : 2-220V 3-380V

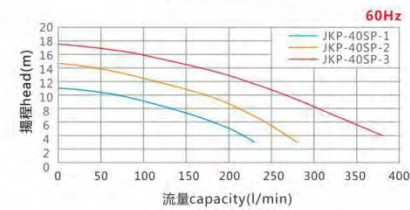
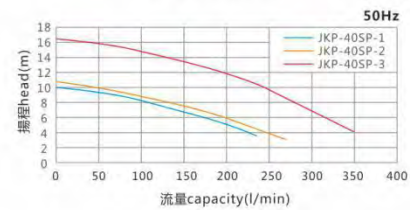
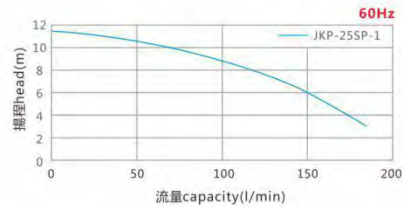
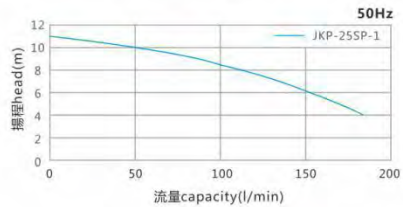
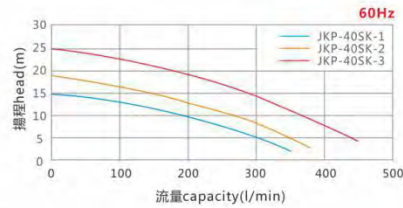
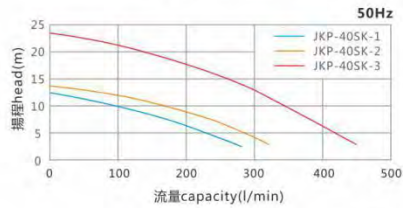
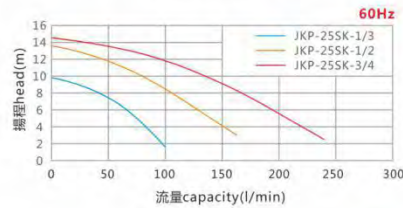
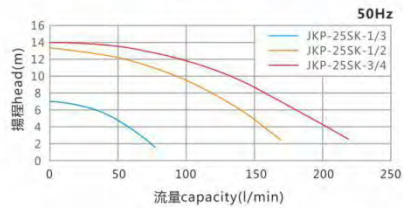
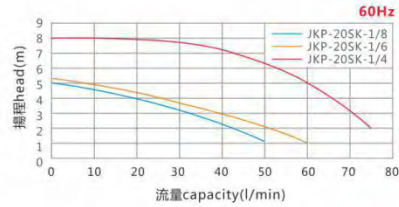
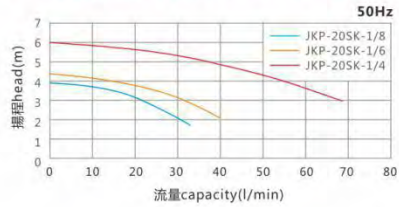
### ● 規格表/Specifications

規格 Spec.	比重 Sp.	入口 Inlet(mm)	出口 Outlet(mm)	50Hz		60Hz		泵浦功率 Power(W)
				全揚程 Max.Head (m)	全流量 Max.Capacity (l/min)	全揚程 Max.Head (m)	全流量 Max.Capacity (l/min)	
JKP-20SK-1/8	1.1	32	20	3.9	33	4.9	50	90
JKP-20SK-1/6	1.1	32	20	4.5	40	5.2	60	120
JKP-25SK-1/4	1.1	40	25	6	69	7.9	75	180
JKP-25SK-1/3	1.1	40	25	7	78	9.8	100	250
JKP-25SK-1/2	1.1	50	25	13.4	170	13.6	163	370
JKP-25SK-3/4	1.1	25	25	14	220	14.5	240	550
JKP-40SK-1	1.1	50	40	12.5	280	15	350	750
JKP-40SK-2	1.1	50	40	13.8	320	19	350	1500
JKP-40SK-3	1.1	50	40	23.5	450	25	450	2200
JKP-25SP-1	1.4	50	25	11	184	11.5	185	750
JKP-40SP-1	1.4	50	40	10	236	11	230	750
JKP-40SP-2	1.4	50	40	10.8	270	14.6	280	1500
JKP-40SP-3	1.4	50	40	16.5	350	17.5	380	2200

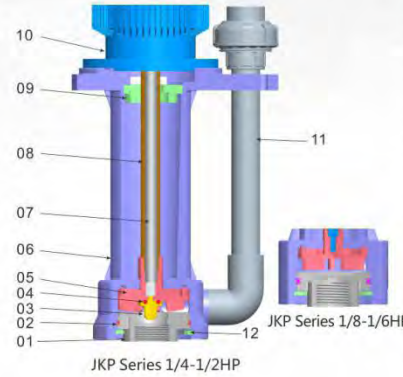
# JKP SERIES

## ◆JKP系列

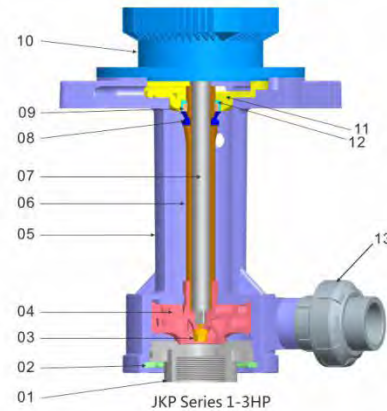
### ● 性能曲線/Performance Curve



### ● 材質構造圖/Material Structure Diagram



編號 Part Code	名稱 Part Name	可選材料 Available Materials
01	前蓋/Front Cover	FRPP / PVDF
02	前蓋O環/Front Cover O Ring	VITON / EPDM
03	葉輪螺母/Impeller Nut	FRPP / PVDF
04	葉輪螺母O環/Impeller Nut O Ring	VITON / EPDM
05	葉輪/Impeller	FRPP / PVDF
06	主體/Pump Body	FRPP / PVDF
07	電機軸心/Motor Shaft	SUS / TI
08	葉輪桿/Impeller Stick	FRPP / PVDF
09	下嵌/Below Panel	FRPP / PVDF
10	電機/Motor	FC / AL
11	出口管組/Pipe group	FRPP / PVDF
12	卡環/Snap Ring	FRPP / PVDF



編號 Part Code	名稱 Part Name	可選材料 Available Materials
01	前蓋/Front Cover	FRPP / PVDF
02	卡環/Snap Ring	FRPP / PVDF
03	葉輪螺母/Impeller Nut	FRPP / PVDF
04	葉輪/Impeller	FRPP / PVDF
05	主體/Pump Body	FRPP / PVDF
06	葉輪桿/Impeller Stick	FRPP / PVDF
07	電機軸心/Motor Shaft	SUS / TI
08	液封/Vapor Seal	VITON / EPDM
09	陶瓷片/Ceramic Chip	CERAMIC
10	電機/Motor	FC / AL
11	下嵌/Below Panel	FRPP / PVDF
12	陶瓷固定套/Ceramic Fixing Sleeve	VITON / EPDM
13	出口管組/Outlet Pipe Group	FRPP / PVDF

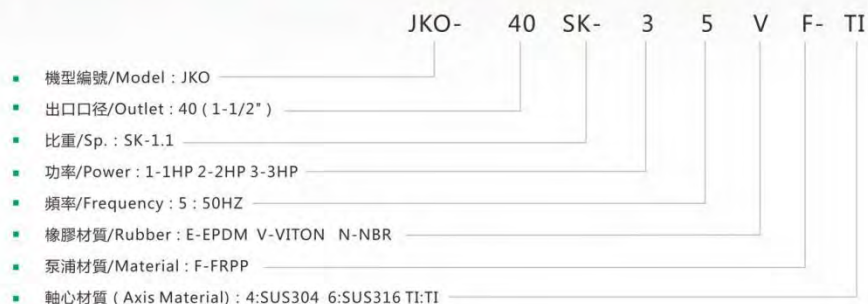


### ● 性能特點/Feature Description

- 進口/上市企業原物料，大幅提高產品強度及耐腐蝕性。
- 高效的葉輪設計配合創新型擋水罩，揚程高、流量大，提高泵浦工作效率。
- 定制一體軸電機，保證電機工作之穩定性。
- 泵浦功率範圍從0.75Kw至2.2Kw，本體材質可選用FRPP/PVDF。
- 適合各種槽內安裝方式，適用於液體噴洗、蝕刻及循環等製程。
- The raw materials from level 1 importer/ listed company.Greatly improved the product strength and corrosion resistance.
- Efficient impeller design with innovative water retaining cover, high head, large flow, improve pump work efficiency.
- Jiekai customized integrated shaft motor , ensure stability of motor working .
- Pump power range from 0.75Kw to 2.2Kw, about the pump body material ,we can use FRPP/PVDF .
- Suitable for all kinds of ingroove installation, suitable for chemical liquid spray cleaning, etching and circulation process, etc.



### ● 型號表示方法/Model Representation Method



### ● 規格表/Specifications

規格 Spec.	比重 Sp.	入口 Inlet(mm)	出口 Outlet(mm)	全揚程 Max.Head (m)	全流量 Max.Capacity (l/min)	泵浦功率 Power(Kw)
JKO-40SK-1	1.1	40	40	18.26	250	0.75
JKO-40SK-2	1.1	40	40	25	290	1.5
JKO-40SK-3	1.1	40	40	28.25	380	2.2

# JKO SERIES

## ◆JKO系列

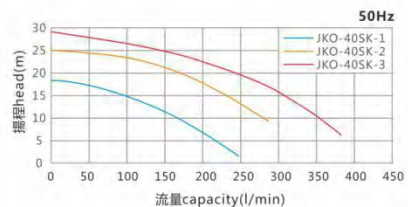
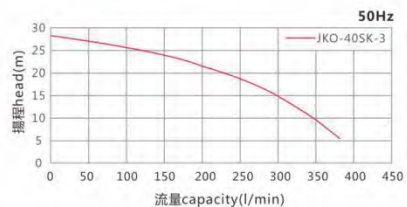
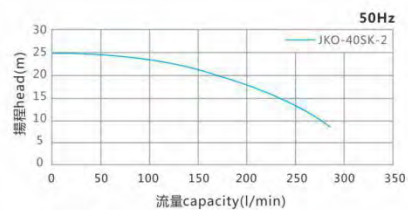
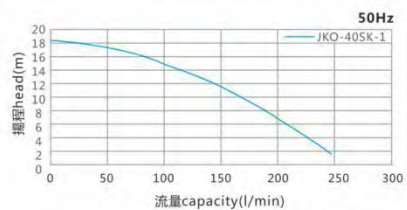


# JKH-D SERIES

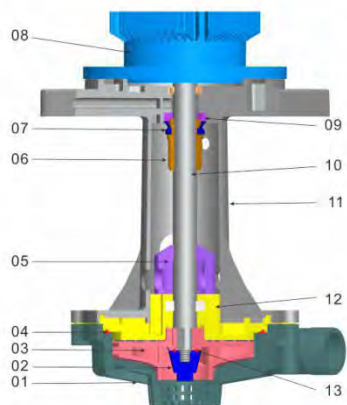
## ◆JKH-D系列



### ● 性能曲線/Performance Curve



### ● 材質構造圖/Material structure diagram



編號 Part Code	名稱 Part Name	可選材料 Available Materials
01	前蓋/Front Cover	FRPP / PVDF
02	葉輪螺母/Impeller Nut	FRPP / PVDF
03	葉輪/Impeller Nut	FRPP / PVDF
04	主體O環/Pump Body O Ring	VITON / EPDM
05	擋水罩/Water Retaining Cover	FRPP / PVDF
06	軸套/Shaft Sleeve	FRPP / PVDF
07	液封/Vapor Seal	VITON / EPDM
08	電機/Motor	FC / AL
09	陶瓷片/Ceramic Chip	CERAMIC
10	電機軸心/Motor Shaft	SUS / TI
11	主體/Pump Body	FRPP / PVDF
12	上嵌/Top Panel	FRPP / PVDF
13	葉輪螺母O環/Impeller Nut O Ring	VITON / EPDM

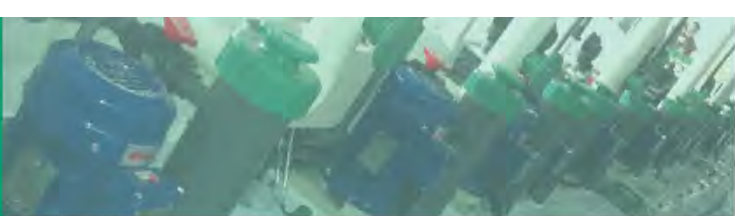


### ● 性能特點/Feature Description

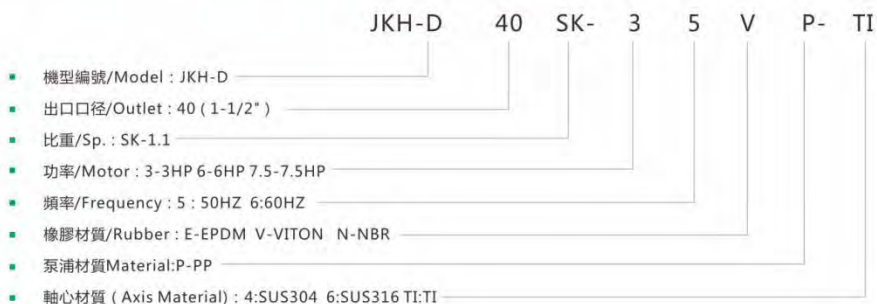
- 主體部分採用德國原裝進口原物料，可耐強腐蝕液體環境。
- 採用雙葉輪設計，配合高效的雙流道，揚程高，流量大。
- 特製的反葉輪配合密封良好的油封設計，可防止電機及軸承被化學氣體侵蝕。
- 泵浦功率範圍從2.2Kw至5.5Kw。
- 適合各種槽內安裝方式，適用於液體高壓噴洗、蝕刻及循環等製程。
- The pump body adopts Germany imported original raw materials, resistant to strong corrosive liquid environment.
- Adopt double impeller design with effective double channel, high head, large flow.
- Specially opposite impeller with good oil seal designed, the impeller can ensure that prevent motors and bearings by chemical gas etching .
- Pump power range from 2.2 Kw to 5.5 Kw.
- Suitable for all kinds of ingroove installation, suitable for chemical liquid spray high pressure cleaning, etching and circulation process, etc.

# JKH-D SERIES

## ◆JKH-D系列



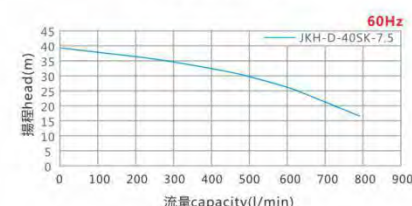
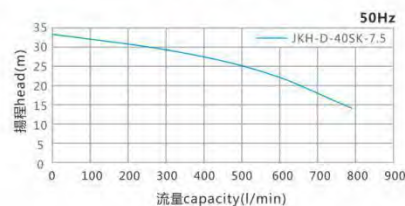
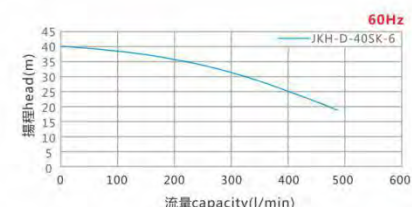
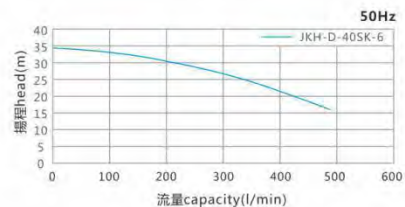
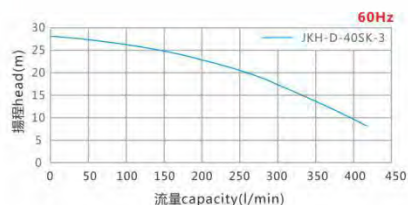
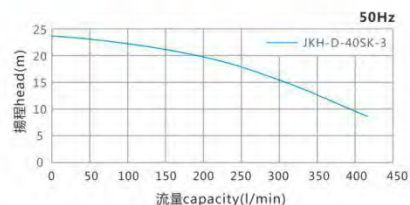
### ● 型號表示方法/Model Representation Method



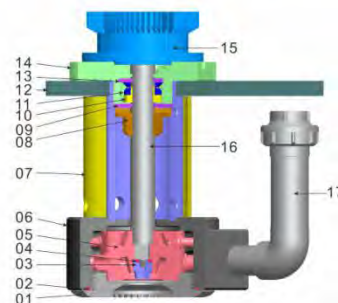
### ● 規格表/Specifications

規格 Spec.	比重 Sp.	入口 Inlet(mm)	出口 Outlet(mm)	50Hz		60Hz		泵浦功率 Power(Kw)
				全揚程 Max. Head (m)	全流量 Max.Capacity (l/min)	全揚程 Max. Head (m)	全流量 Max.Capacity (l/min)	
JKH-D-40SK-3	1.1	50	40	24	417	28	420	2.2
JKH-D-40SK-6	1.1	50	40	34.8	490	40	490	4.5
JKH-D-40SK-7.5	1.1	50	40	34.6	790	39.5	790	5.5

### ● 性能曲線/Performance Curve



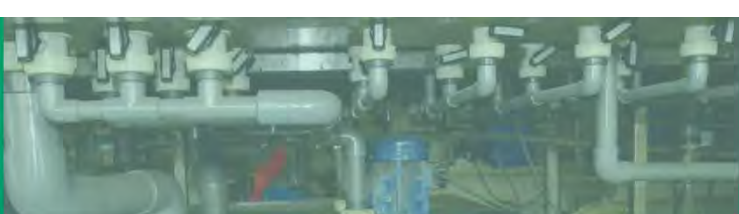
### ● 材質構造圖/Material Structure Diagram



編號 Part Code	名稱 Part Name	可選材料 Available Materials
01	前蓋/Front Cover	PP
02	前蓋O環/Front Cover O Ring	VITON / EPDM
03	葉輪螺母/Impeller Nut	TI
04	葉輪螺母O環/Impeller Nut O Ring	VITON / EPDM
05	葉輪/Impeller	PP
06	泵頭/Pump head	PP
07	主體/Pump Body	PP
08	反葉輪/Opposite Impeller	TI
09	反葉輪擋板/Opposite Impeller Baffle	TI
10	液封固定軸套/Fixed Vapor Seal Shaft Sleeve	TI
11	液封/Vapor Seal	VITON
12	面板 (含O環) /Panel (including the O ring)	VITON / EPDM
13	液封固定座板/Fixed Vapor Seal Plate	TI
14	電機安裝版/Motor Base	PP
15	電機/Motor	FC / AL
16	電機軸心/Motor Shaft	SUS / TI
17	出口管組/The Outlet Pipe Group	PP

# JKD-P SERIES

## ◆JKD-P系列



# JKD-P SERIES

## ◆JKD-P系列



### ● 型號表示方法/Model Representation Method

- JKD-P- 50 SP- 5 5 V U- TI
- 機型編號/Model : JKD-P \_\_\_\_\_
  - 出口口径/Outlet : 20 ( 3/4" ) 25 ( 1" ) 40 ( 1-1/2" )  
50 ( 2" ) 65 ( 2-1/2" ) \_\_\_\_\_
  - 比重/Sp. : SP-1.4 \_\_\_\_\_
  - 功率/Motor : 1/4 ( 1/4HP ) 1/2 ( 1/2HP ) 1 ( 1HP )  
2 ( 2HP ) 3 ( 3HP ) 5 ( 5HP ) 7.5 ( 7.5HP ) 10 ( 10HP ) \_\_\_\_\_
  - 頻率/Frequency : 5 : 50HZ \_\_\_\_\_
  - 橡膠材質/Rubber : E-EPDM V-VITON N-NBR \_\_\_\_\_
  - 泵體材質/Material : U-UPE \_\_\_\_\_
  - 軸心材質 ( Axis Material ) : 4:SUS304 6:SUS316 TI:TI \_\_\_\_\_

### ● 規格表/Specifications

規格 Spec.	比重 Sp.	入口 Inlet(mm)	出口 Outlet(mm)	全揚程 Max.Head (m)	全流量 Max.Capacity (l/min)	泵浦功率 Power(Kw)
JKD-P-20SP1/4	1.4	32	20	5	80	0.18
JKD-P-25SP1/2	1.4	40	25	7	95	0.37
JKD-P-25SP-1	1.4	40	25	8	110	0.75
JKD-P-40SP-2	1.4	50	40	10.5	160	1.5
JKD-P-40SP-3	1.4	50	40	11	230	2.2
JKD-P-50SP-5	1.4	65	50	14.5	220	3.75
JKD-P-65SP-7.5	1.4	80	65	18	330	5.5
JKD-P-65SP-10	1.4	80	65	20	400	7.5

### ● 性能特點/Feature Description

- 採用專用超高分子量UPE材質製成，耐磨損，壽命長。
- 完全可空轉運行，絕不因空轉而損壞泵浦。
- 高效率葉輪配合創新型流道，壓力大。
- 驅馳定制電機，台灣先進技術，100%原裝正品。
- Using special UPE material, wear resistance, long service life.
- Completely can idle running.Never due to idle then damage the pump.
- High efficiency impeller with innovative passageway.Gets high pressure.
- Customized brand Quchi motor,adopts Taiwan's advanced technology.It is absolutely 100% original certified products.

# JKD-P SERIES

## ◆JKD-P系列

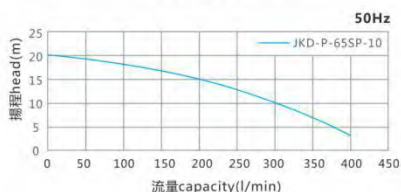
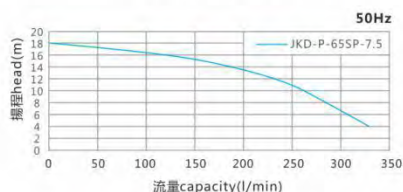
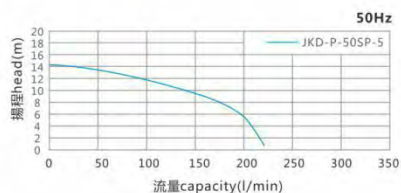
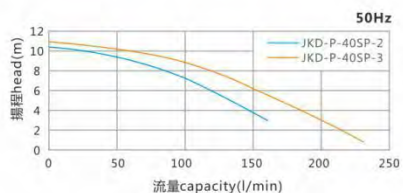
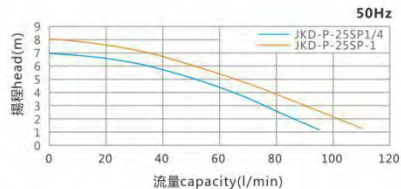
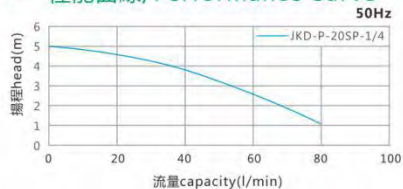


# JKV SERIES

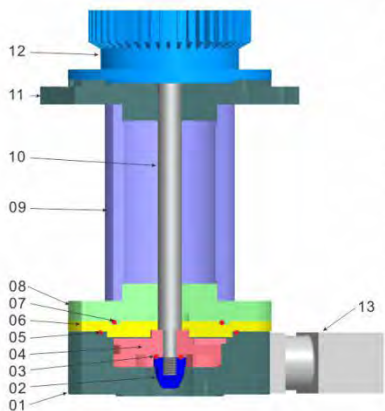
## ◆JKV系列



### ● 性能曲線/Performance Curve



### ● 材質構造圖/Material Structure Diagram



編號 Part Code	名稱 Part Name	可選材料 Available Materials
01	前蓋/ Front Cover	UPE
02	葉輪螺母/ Impeller Nut	UPE/PVDF
03	葉輪螺母O環/ Impeller Nut O Ring	VITON / EPDM
04	葉輪/ Impeller	UPE
05	主體O環/ Pump Body O Ring	VITON / EPDM
06	上嵌/ Top Pannel	UPE
07	上嵌O環/ Top Pannel O Ring	VITON / EPDM
08	上嵌板/ On The Pannel	FRPP
09	主體/ Pump Body	FRPP
10	電機軸心/ Motor Shaft	SUS / TI
11	面板/ Pannel	FRPP
12	電機/ Motor	FC / AL
13	出口接头+O環/ Outlet Connection+ O Ring	UPE+VITON / EPDM
***	靜態軸封/ The Static Seal(5.5Kw)	TEFLON



### ● 性能特點/Feature Description

- 泵體配件採用精密脫蠟鑄造加工，配件內外均衡平滑，穩定性高。
- 獨特的油封設計，可空轉，防止腐蝕性氣體損壞電機。
- 泵浦功率範圍從0.37Kw至7.5Kw，可用於槽內或槽外安裝。
- 主體採用SUS304、SUS316材質，可耐高溫，可用於不同種類酸鹼液。
- Pump body spare parts adopt precision wax casting processing, spare parts both inside and outside are equilibrium and smooth, high stability.
- Special vapor design, can idel, to prevent corrosive gas damage the motor.
- Pump power range from 0.09Kw to 2.2Kw, The pump can be vertical installation, and can install in tank or out of tank.
- Pump body adopts the SUS304, SUS316, SUS316 and TI materials, resistant to high temperature and can be used for different kinds of acid alkali liquid.

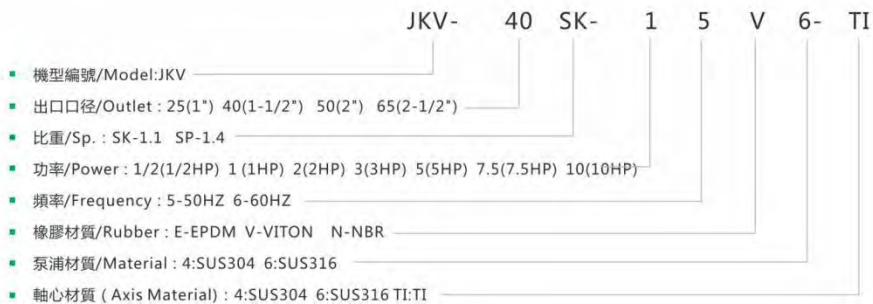
# JKV SERIES

## ◆JKV系列

# JKV SERIES

## ◆JKV系列

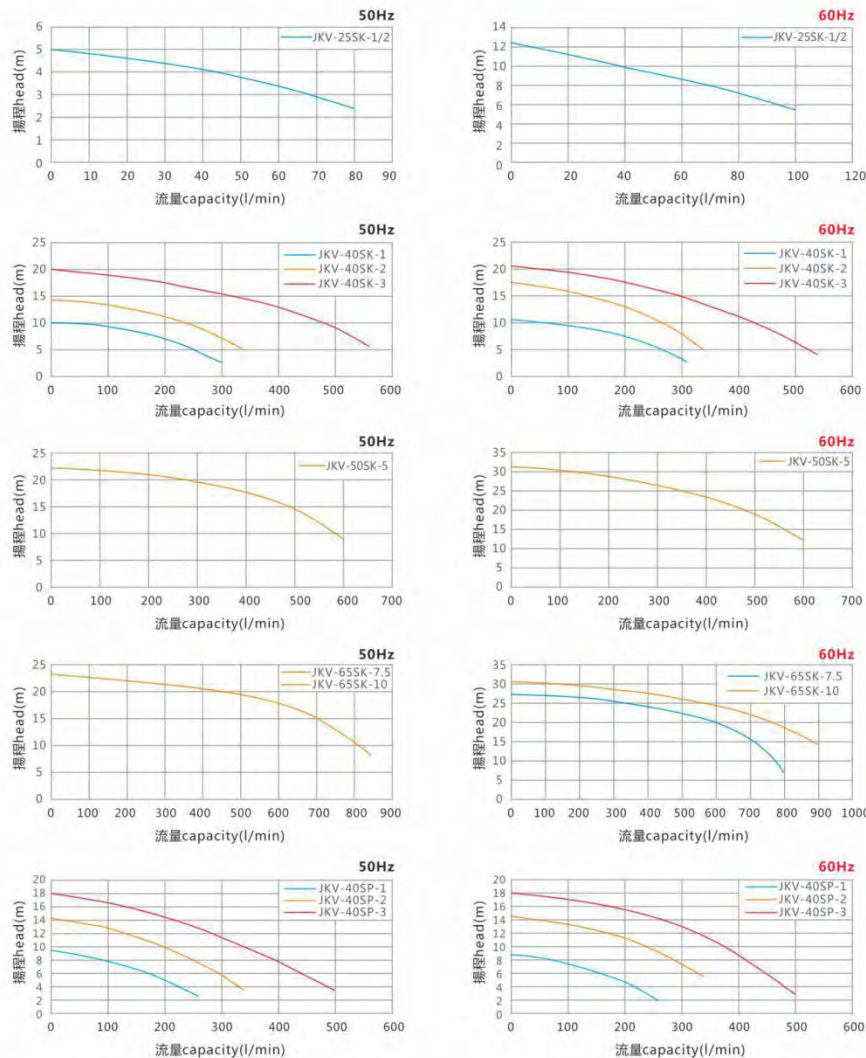
### ● 型號表示方法/Model Representation Method



### ● 規格表/Specifications

規格 Spec.	比重 Sp.	入口 Inlet(In)	出口 Outlet(In)	50Hz		60Hz		泵浦功率 Power(Kw)
				全揚程 Max.Head (m)	全流量 Max.Capacity (l/min)	全揚程 Max.Head (m)	全流量 Max.Capacity (l/min)	
JKV-25SK-1/2	1.1	25	25	5	80	12.4	100	0.37
JKV-40SK-1	1.1	40	40	9.9	300	10.6	310	0.75
JKV-40SK-2	1.1	40	40	14.2	340	17.5	340	1.5
JKV-40SK-3	1.1	50	40	20	560	20.5	540	2.2
JKV-50SK-5	1.1	50	50	22	600	31	600	3.75
JKV-65SK-7.5	1.1	65	65	23	840	27	800	5.5
JKV-65SK-10	1.1	65	65	23	840	30.5	900	7.5
JKV-40SP-1	1.4	40	40	9.5	260	8.8	260	0.75
JKV-40SP-2	1.4	40	40	14.3	340	14.5	320	1.5
JKV-40SP-3	1.4	50	40	18	500	18	500	2.2
JKV-50SP-5	1.4	50	50	22	590	23.5	560	3.75
JKV-65SP-7.5	1.4	65	65	20	846	27.5	830	5.5
JKV-65SP-10	1.4	65	65	22.4	910	32	840	7.5

### ● 性能曲線/Performance Curve





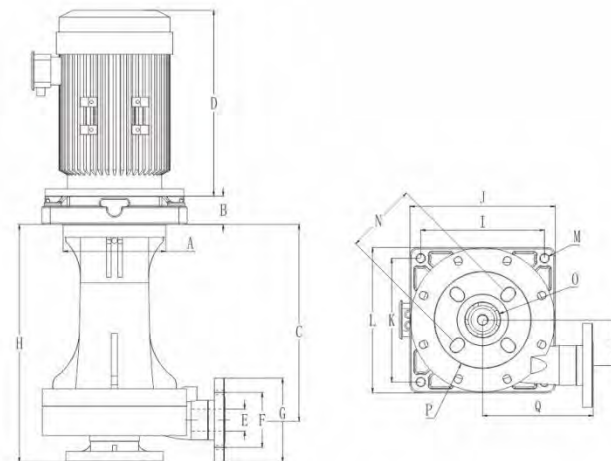
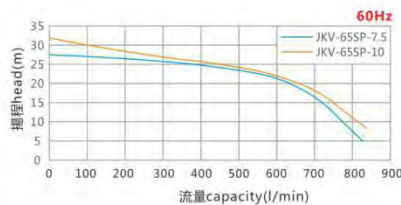
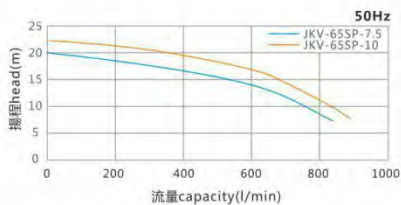
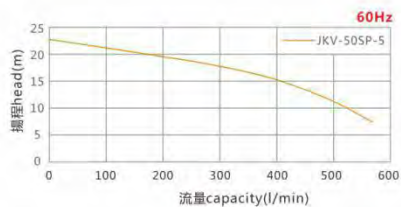
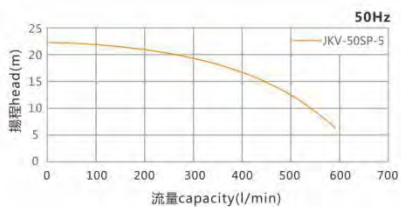
# JKV SERIES

## ◆JKV系列

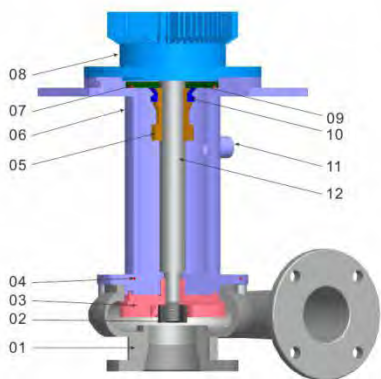


# JKD SIZE

## ◆JKD安裝尺寸



### ● 材質構造圖/Material Structure Diagram



編號 Part Code	名稱 Part Name	可選材料 Available Materials
01	前蓋/Front Cover	SUS304 / SUS316
02	葉輪螺母/Impeller Nut	SUS304 / SUS316
03	葉輪/Impeller	SUS304 / SUS316
04	前蓋O環/Front Cover O Ring	VITON / EPDM
05	軸套/Shaft Sleeve	SUS304 / SUS316
06	主體/Pump Body	SUS304 / SUS316
07	下嵌O環/Below Pannel O Ring	VITON / EPDM
08	電機/Motor	FC / AL
09	下嵌/Below Pannel	SUS304 / SUS316
10	液封/Vapor Seal	VITON / EPDM
11	中肚螺絲/Main Body Screw	SUS304 / SUS316
12	電機軸心/Motor Shaft	SUS / TI

### ● 安裝尺寸表/Dimensions (mm)

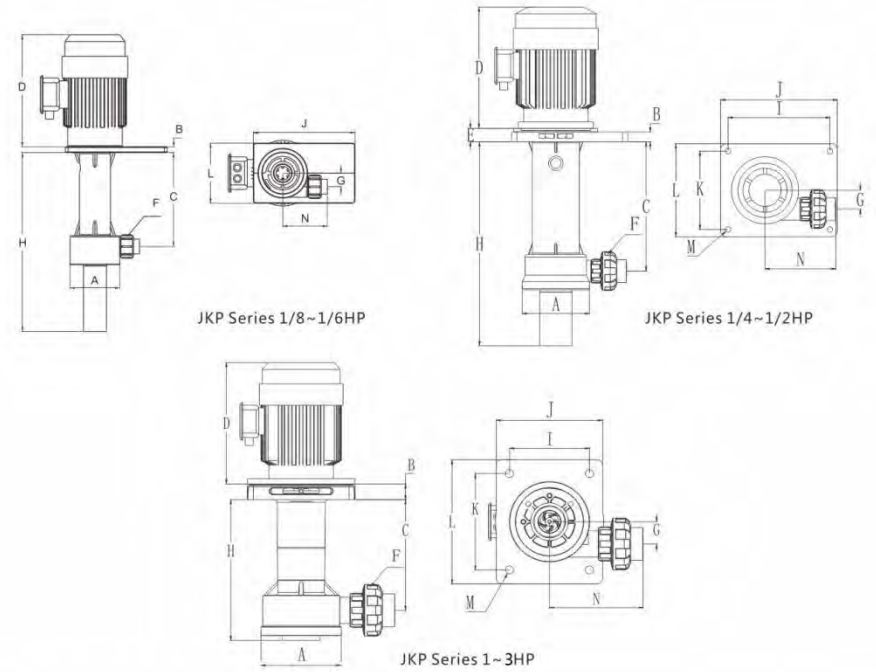
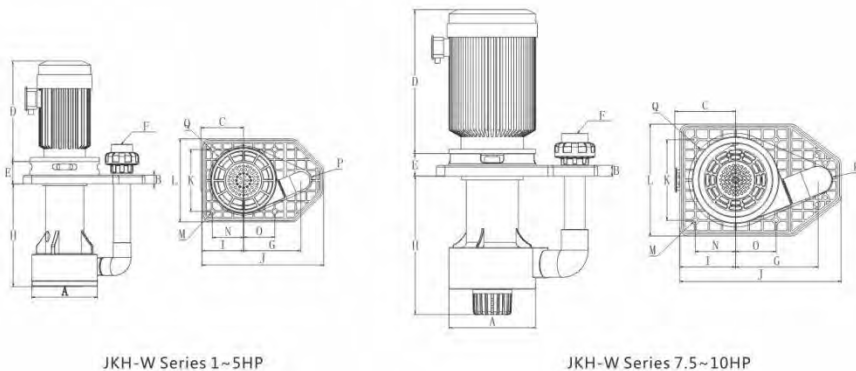
型號/Model	A	B	C	D	E	F	G	H	I	J	K	L	M	N	O	P	Q	R
JKD-40SK-1	185	51	352.5	265	Φ40	102.0	134.5	428	223	262	223	262	Φ15	115.5	Φ50	151	175	68
JKD-40SK-2	185	51	352.5	265	Φ40	102.0	134.5	428	223	262	223	262	Φ15	115.5	Φ50	151	175	68
JKD-40SK-3	185	51	352.5	290	Φ40	102.0	134.5	428	223	262	223	262	Φ15	115.5	Φ50	151	175	68
JKD-50SK-3	185	51	352.5	290	Φ50	115.5	151	428	223	262	223	262	Φ15	130	Φ65	175	199	82
JKD-50SK-5	185	51	352.5	335	Φ50	115.5	151	428	223	262	223	262	Φ15	130	Φ65	175	199	82
JKD-65SK-5	185	51	352.5	335	Φ65	130.0	175	428	300	352	300	352	Φ18	145	Φ80	187	203	62
JKD-65SK-7.5	185	51	352.5	415	Φ65	130.0	175	428	300	352	300	352	Φ18	145	Φ80	187	203	62
JKD-65SK-10	185	51	352.5	415	Φ65	130.0	175	428	300	352	300	352	Φ18	145	Φ80	187	203	62
JKD-100SK-7.5	185	51	358.5	415	Φ100	174.5	211	438	300	352	300	352	Φ18	175	Φ100	211	222	62
JKD-100SK-10	185	51	358.5	415	Φ100	174.5	211	438	300	352	300	352	Φ18	175	Φ100	211	222	62
JKD-100SK-15	185	51	358.5	450	Φ100	174.5	211	438	300	352	300	352	Φ18	175	Φ100	211	222	72
JKD-40SP-3	185	51	352.5	290	Φ40	102.0	134.5	428	223	262	223	262	Φ15	115.5	Φ50	151	175	68
JKD-50SP-3	185	51	352.5	290	Φ50	115.5	151	428	223	262	223	262	Φ15	130	Φ65	175	199	82
JKD-50SP-5	185	51	352.5	335	Φ50	115.5	151	428	223	262	223	262	Φ15	130	Φ65	175	199	82
JKD-65SP-5	185	51	352.5	335	Φ65	130.0	175	428	300	352	300	352	Φ18	145	Φ80	187	203	62
JKD-65SP-7.5	185	51	352.5	415	Φ65	130.0	175	428	300	352	300	352	Φ18	145	Φ80	187	203	62
JKD-65SP-10	185	51	352.5	415	Φ65	130.0	175	428	300	352	300	352	Φ18	145	Φ80	187	203	62

# JKH SIZE

## ◆ JKH安裝尺寸

# JKP SIZE

## ◆ JKP安裝尺寸



### ● 安裝尺寸表/Dimensions (mm)

型號/Model	A	B	C	D	E	F	G	H	I	J	K	L	M	N	O	P	Q
JKH-W-32SK-1/2	189	25.5	114	226	64.5	Φ32	165	296	120	350.5	179	239.5	Φ12	90	90	R32.5	R100
JKH-W-32SK-1	189	25.5	114	265	64.5	Φ32	165	296	120	350.5	179	239.5	Φ12	90	90	R32.5	R100
JKH-W-32SK-2	189	25.5	114	265	64.5	Φ32	165	296	120	350.5	179	239.5	Φ12	90	90	R32.5	R100
JKH-W-40SK-1	189	25.5	114	265	64.5	Φ40	165	296	120	350.5	179	239.5	Φ12	90	90	R32.5	R100
JKH-W-40SK-2	189	25.5	114	265	64.5	Φ40	165	296	120	350.5	179	239.5	Φ12	90	90	R32.5	R100
JKH-W-40SK-3	189	25.5	114	290	64.5	Φ40	165	296	120	350.5	179	239.5	Φ12	90	90	R32.5	R100
JKH-W-40SK-5	189	25.5	114	335	64.5	Φ40	165	296	120	350.5	179	239.5	Φ12	90	90	R32.5	R100
JKH-W-50SK-7.5	250	31	175	415	65	Φ50	238	349	161	465	232	322	Φ13	116.5	116.5	R40	R135
JKH-W-50SK-10	250	31	175	415	65	Φ50	238	349	161	465	232	322	Φ13	116.5	116.5	R40	R135
JKH-W-32SP-1	189	25.5	114	265	64.5	Φ32	165	296	120	350.5	179	239.5	Φ12	90	90	R32.5	R100
JKH-W-32SP-2	189	25.5	114	265	64.5	Φ32	165	296	120	350.5	179	239.5	Φ12	90	90	R32.5	R100
JKH-W-40SP-3	189	25.5	114	290	64.5	Φ40	165	296	120	350.5	179	239.5	Φ12	90	90	R32.5	R100
JKH-W-40SP-5	189	25.5	114	335	64.5	Φ40	165	296	120	350.5	179	239.5	Φ12	90	90	R32.5	R100
JKH-W-50SP-7.5	250	31	175	415	65	Φ50	238	349	161	465	232	322	Φ13	116.5	116.5	R40	R135
JKH-W-50SP-10	250	31	175	415	65	Φ50	238	349	161	465	232	322	Φ13	116.5	116.5	R40	R135

### ● 安裝尺寸表/Dimensions (mm)

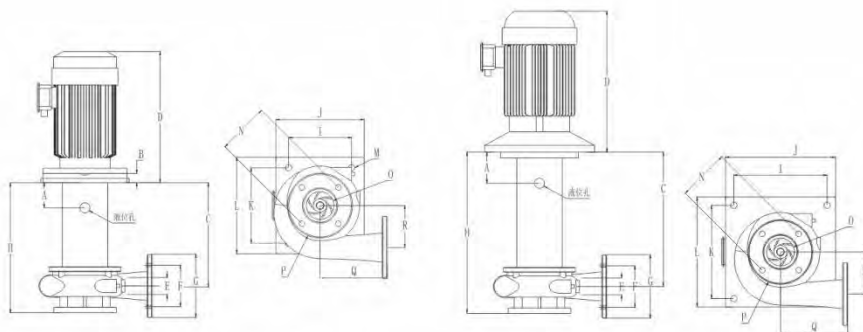
型號/Model	A	B	C	D	E	F	G	H	I	J	K	L	M	N
JKP-20SK-1/8	91	10.5	172	205	/	Φ20	24.5	327	/	186	/	110	/	81.5
JKP-20SK-1/6	91	10.5	172	205	/	Φ20	24.5	327	/	186	/	110	/	81.5
JKP-25SK-1/4	125	18	241	226	25	Φ25	35	380	194	223	149	177	Φ10	132
JKP-25SK-1/3	125	18	241	226	25	Φ25	35	380	194	223	149	177	Φ10	132
JKP-25SK-1/2	125	18	241	226	25	Φ25	41.5	380	194	223	179.5	177	Φ10	132
JKP-25SK-3/4	125	18	241	226	25	Φ25	41.5	380	194	223	179.5	177	Φ10	132
JKP-40SK-1	149.5	29.5	206	265	/	Φ40	41.5	262	149	198	179.5	231	Φ15	174.5
JKP40SK-2	149.5	29.5	206	265	/	Φ40	41.5	262	149	198	179.5	231	Φ15	174.5
JKP40SK-3	149.5	29.5	206	290	/	Φ40	41.5	262	149	198	179.5	231	Φ15	174.5
JKP-25SP-1	149.5	29.5	206	265	/	Φ25	41.5	262	149	198	179.5	231	Φ15	174.5
JKP-40SP-1	149.5	29.5	206	265	/	Φ40	41.5	262	149	198	179.5	231	Φ15	174.5
JKP-40SP-2	149.5	29.5	206	265	/	Φ40	41.5	262	149	198	179.5	231	Φ15	174.5
JKP-40SP-3	149.5	29.5	206	290	/	Φ40	41.5	262	149	198	179.5	231	Φ15	174.5

# JKV SIZE

## ◆ JKV安裝尺寸

# JKO SIZE

## ◆ JKO安裝尺寸

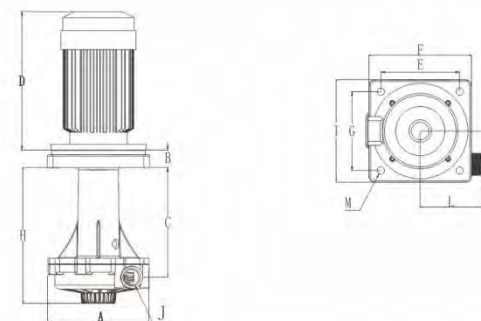


JKV Series 1~5HP

JKV Series 7.5~10HP

### ● 安裝尺寸表/Dimensions (mm)

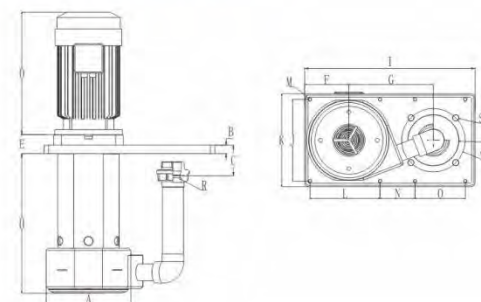
型號/Model	A	B	C	D	E	F	G	H	I	J	K	L	M	N	O	P	Q	R
JKV-40SK-1	60	22	242	265	Φ40	Φ79	Φ97	288	150	210	180	230	Φ15	Φ79	Φ40	Φ97	105	70
JKV-40SK-2	60	22	242	265	Φ40	Φ79	Φ97	288	150	210	180	230	Φ15	Φ79	Φ40	Φ97	105	70
JKV-40SK-3	60	22	242	290	Φ40	Φ79	Φ97	288	150	210	180	230	Φ15	Φ79	Φ40	Φ97	105	70
JKV-50SK-5	60	22	246	335	Φ50	Φ122	Φ149	310	150	210	180	230	Φ15	Φ122	Φ50	Φ149	154	83
JKV-65SK-7.5	60	/	353	415	Φ65	Φ122	Φ149	407	299	350	299	350	Φ17	Φ122	Φ65	Φ149	154	95
JKV-65SK-10	60	/	353	415	Φ65	Φ122	Φ149	407	299	350	299	350	Φ17	Φ122	Φ65	Φ149	154	95
JKV-40SP-1	60	22	242	265	Φ40	Φ79	Φ97	288	150	210	180	230	Φ15	Φ79	Φ40	Φ97	105	70
JKV-40SP-2	60	22	242	265	Φ40	Φ79	Φ97	288	150	210	180	230	Φ15	Φ79	Φ40	Φ97	105	70
JKV-40SP-3	60	22	246	290	Φ40	Φ122	Φ149	310	150	210	180	230	Φ15	Φ122	Φ40	Φ149	154	83
JKV-50SP-5	60	22	246	335	Φ50	Φ122	Φ149	310	150	210	180	230	Φ15	Φ122	Φ50	Φ149	154	83
JKV-65SP-7.5	60	/	353	415	Φ65	Φ122	Φ149	407	299	350	299	350	Φ17	Φ122	Φ65	Φ149	154	95
JKV-65SP-10	60	/	353	415	Φ65	Φ122	Φ149	407	299	350	299	350	Φ17	Φ122	Φ65	Φ149	154	95



### ● 安裝尺寸表/Dimensions (mm)

型號/Model	A	B	C	D	E	F	G	H	I	J	K	L	M
JKO-40SK-1	212	37	230	265	165	215	165	294	215	Φ40	69.5	129	Φ21
JKO-40SK-2	212	37	230	265	165	215	165	294	215	Φ40	69.5	129	Φ21
JKO-40SK-3	212	37	230	290	165	215	165	294	215	Φ40	69.5	129	Φ21

### ● JKH-D安裝尺寸圖/JKH-D Product Size



### ● 安裝尺寸表/Dimensions (mm)

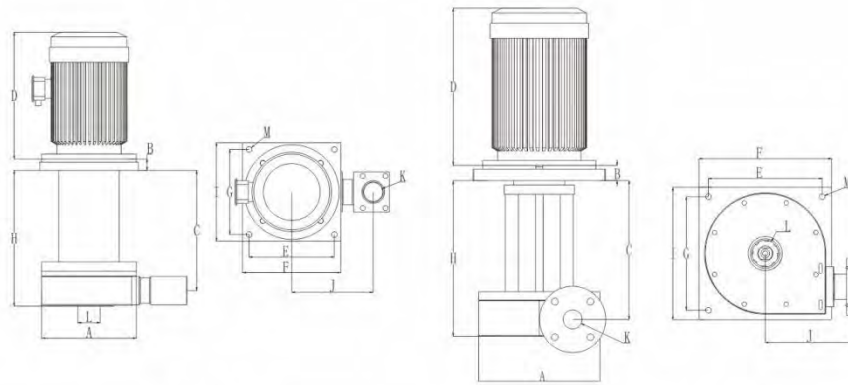
型號/Model	A	B	C	D	E	F	G	H	I	J	K	L	M	N	O	P	Q	R	S
JKH-D-40SK-3	180	20	72.5	290	45	105	200	260.5	404	194	220	166	Φ7.5	83	119	Φ121	Φ150	Φ40	Φ15
JKH-D-40SK-6	189.5	20	72.5	335	45	105	200	264.5	404	194	220	166	Φ7.5	83	119	Φ121	Φ150	Φ40	Φ15
JKH-D-40SK-7.5	201	20	72.5	375	45	105	200	279	404	194	220	166	Φ7.5	83	119	Φ121	Φ150	Φ40	Φ15

# JKD-P SIZE

## ◆ JKD-P安裝尺寸

# EXAMPLES

## ◆ 安裝示意圖

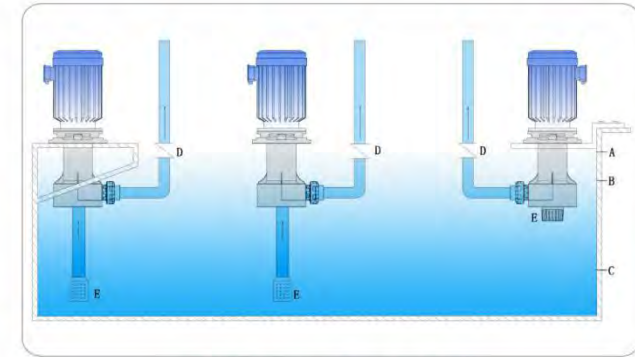


JKD-P Series 5HP

JKD-P Series 1/4~3HP  
JKD-P Series 7.5HP

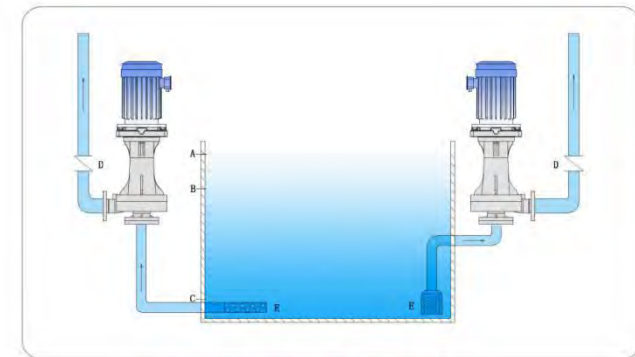
### ● 安裝尺寸表/Dimensions (mm)

型號/Model	A	B	C	D	E	F	G	H	I	J	K	L
JKD-P-20SP-1/4	135	25	225	205	160	190	160	225	160	145	Φ20	Φ25
JKD-P-25SP-1/2	135	25	269	226	160	190	160	304	190	143	Φ25	Φ32
JKD-P-25SP-1	195	25	280	265	205	240	205	309	240	155	Φ25	Φ32
JKD-P-40SP-2	210	30	310	265	225	240	225	415	260	151	Φ40	Φ50
JKD-P-40SP-3	210	30	360	290	225	260	225	415	260	151	Φ40	Φ50
JKD-P-50SP-5	250	30	317	335	225	260	225	356	260	215	Φ50	Φ65
JKD-P-65SP-7.5	320	40	367	415	300	350	300	411	350	225	Φ65	Φ80
JKD-P-65SP-10	320	40	367	415	300	350	300	411	350	225	Φ65	Φ80



槽內安裝/installed inside of tank

- A-工作時最高液面/The highest level for liquid transfer
- B-起動時最低液面/The lowest level during pump peiming
- C-工作時最低液面/The lowest level for liquid transfer
- D-止回閥/Check Valve
- E-濾網或底閘/Strainer or Foot Valve



槽外安裝/installed outside of tank

- A-工作時最高液面/The highest level for liquid transfer
- B-起動時最低液面/The lowest level during pump peiming
- C-工作時最低液面/The lowest level for liquid transfer
- D-止回閥/Check Valve
- E-濾網或底閘/Strainer or Foot Valve

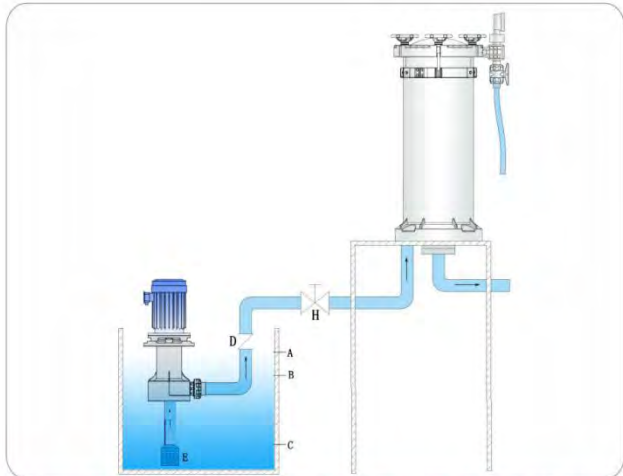
# EXAMPLES

## ◆ 安裝示意圖



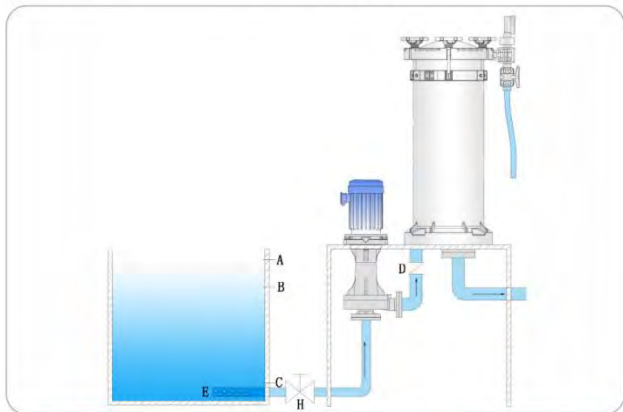
# EXAMPLES

## ◆ 安裝示意圖



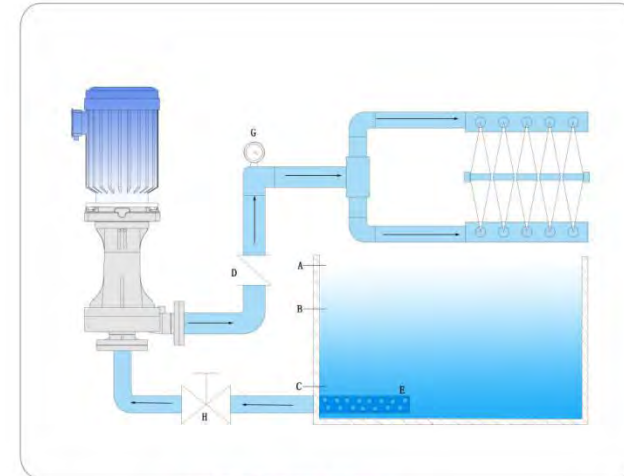
槽內安裝, 配合過濾器使用/installed outside of tank and be used with filter

- A-工作時最高液面 The highest level for liquid transfer
- B-起動時最低液面 The lowest level during pump peiming
- C-工作時最低液面 The lowest level for liquid transfer
- D-止回閥 Check Valve
- E-濾網或底閥 Strainer or Foot Valve
- H-閘門 Valve



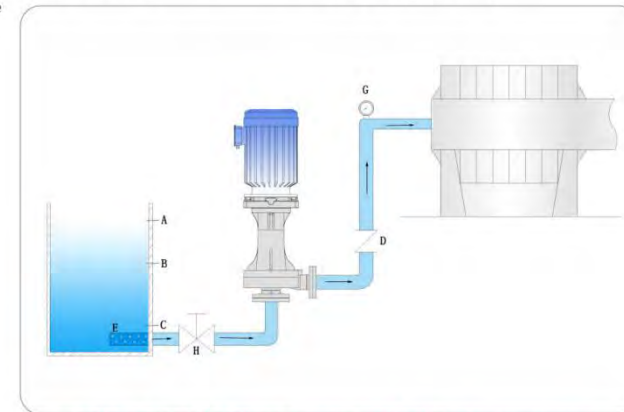
槽外安裝, 配合過濾器使用/installed outside of tank and be used with filter

- A-工作時最高液面 The highest level for liquid transfer
- B-起動時最低液面 The lowest level during pump peiming
- C-工作時最低液面 The lowest level for liquid transfer
- D-止回閥 Check Valve
- E-濾網或底閥 Strainer or Foot Valve
- H-閘門 Valve



蝕刻或噴淋/etch or spray

- A-工作時最高液面 The highest level for liquid transfer
- B-起動時最低液面 The lowest level during pump peiming
- C-工作時最低液面 The lowest level for liquid transfer
- D-止回閥 Check Valve
- E-濾網或底閥 Strainer or Foot Valve
- G-壓力表 Pressure Gauge
- H-閘門 Valve



反應槽或過濾壓縮機用/with reaction tank or filtering compressor

- A-工作時最高液面 The highest level for liquid transfer
- B-起動時最低液面 The lowest level during pump peiming
- C-工作時最低液面 The lowest level for liquid transfer
- D-止回閥 Check Valve
- E-濾網或底閥 Strainer or Foot Valve
- G-壓力表 Pressure Gauge
- H-閘門 Valve

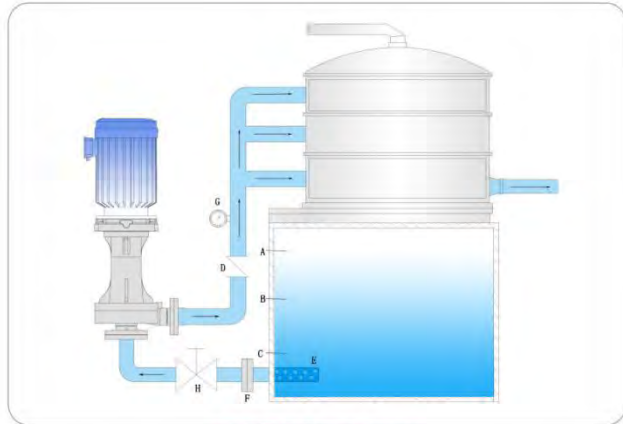
# EXAMPLES

## ◆ 安裝示意圖



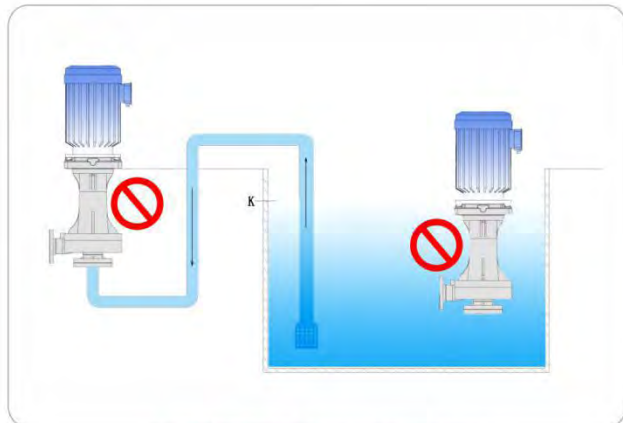
# 直立式泵系列

## CENTRIFUGAL PUMP OF VERTICAL AXIS



廢氣塔/exhaust tower

- A-工作時最高液面 The highest level for liquid transfer
- B-起動時最低液面 The lowest level during pump peiming
- C-工作時最低液面 The lowest level for liquid transfer
- D-止回閥 Check Valve
- E-濾網或底閥 Strainer or Foot Valve
- F-法蘭 Flange
- G-壓力表 Pressure Gauge
- H-閘門 Valve



不正確的使用方式/wrong application

K-工作時最低液面 The lowest level for liquid transfer

